

## Technical Specification

P/N:DS-18100	
Frequency Range(GHz)	0.18 - 1.0
Gain(dBi)	6 Typ.
Polarization	Linear
3dB Beamwidth(deg)	E Plane: 70 - 55
	H Plane: 143 - 108
VSWR	2.0:1 Typ. / 3.0:1 Max.
Output	N-Female
Average Power(W CW)	300
Peak Power(KW)	3
Material	Al
Size(mm)	856.6 x 53.1 x 745.3
Net Weight(Kg)	0.90 Around

P/N:DS-18100C	
Frequency Range(GHz)	0.18 - 1.0
Gain(dBi)	6 Typ.
Polarization	Linear
3dB Beamwidth(deg)	E Plane: 70 - 55
	H Plane: 143 - 108
VSWR	2.0:1 Typ. / 3.0:1 Max.
Output	N-Female
Average Power(W CW)	300
Peak Power(KW)	3
Material	Al
Size(mm)	856.6 x 80 x 737.4
Net Weight(Kg)	1.00 Around

P/N:DS-18100E	
Frequency Range(GHz)	0.18 - 1.0
Gain(dBi)	6 Typ.
Polarization	Linear
3dB Beamwidth(deg)	E Plane: 70 - 55
	H Plane: 143 - 108
VSWR	2.0:1 Typ. / 3.0:1 Max.
Output	N-Female
Average Power(W CW)	300
Peak Power(KW)	3
Material	Al
Size(mm)	856.6 x 52 x 979
Net Weight(Kg)	1.35 Around

AINFO Inc.

Page 1 of 7

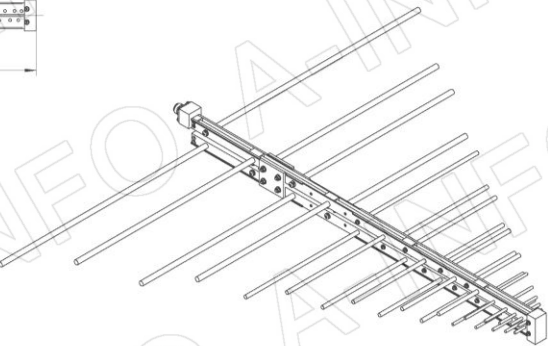
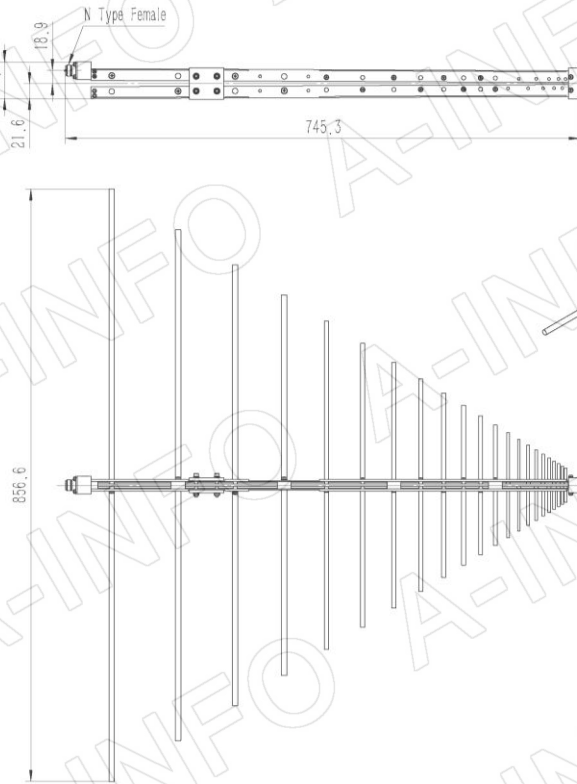
China(Beijing): Tel: (+86) 10-6266-7326,  
China(Chengdu): Tel: (+86) 28-8519-2786,  
USA: Tel: (+1) 949-639-9688,

(+86) 10-6266-7327 Fax: (+86) 10-6266-7379  
(+86) 28-8519-3044 Fax: (+86) 28-8519-3068  
(+1) 949-639-9608 Fax: (+1) 949-639-9670

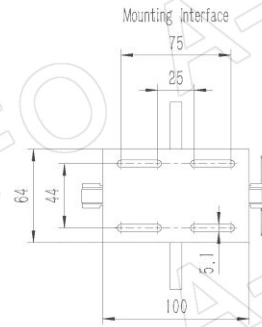
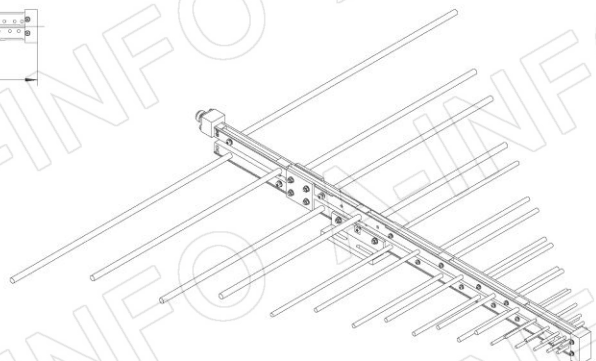
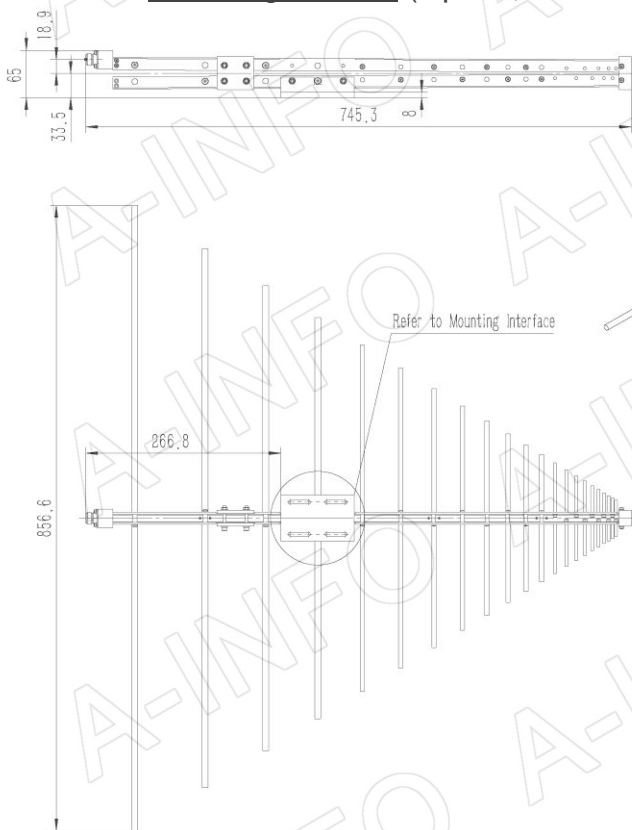
Website: www.ainfoinc.com  
Email: sales@ainfoinc.com

## Outline Drawing (Size: mm)

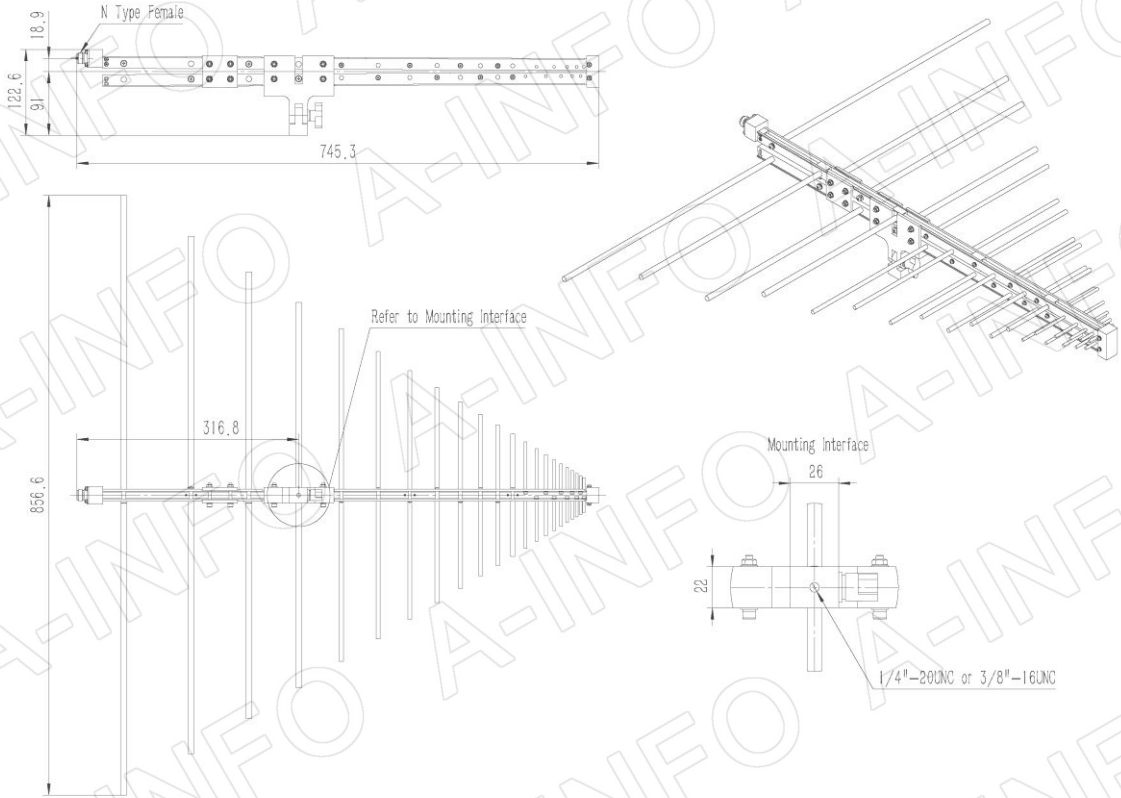
DS-18100 (P/N: DS-18100)



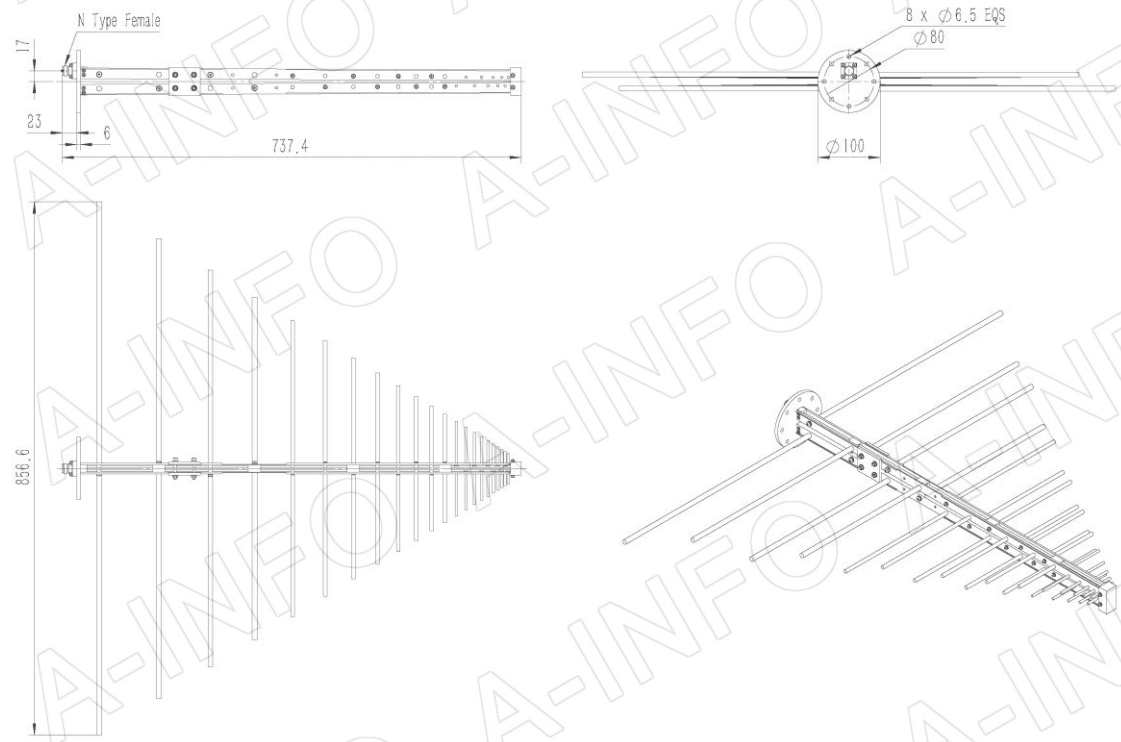
## DS-18100 with Mounting Bracket (Option, P/N: DS-20200-MB)



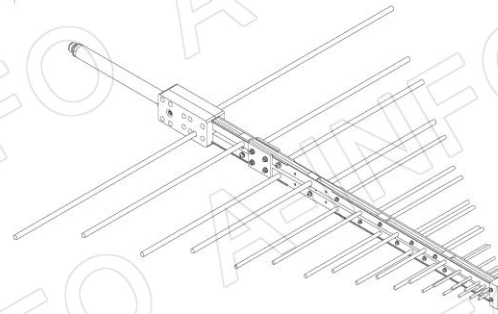
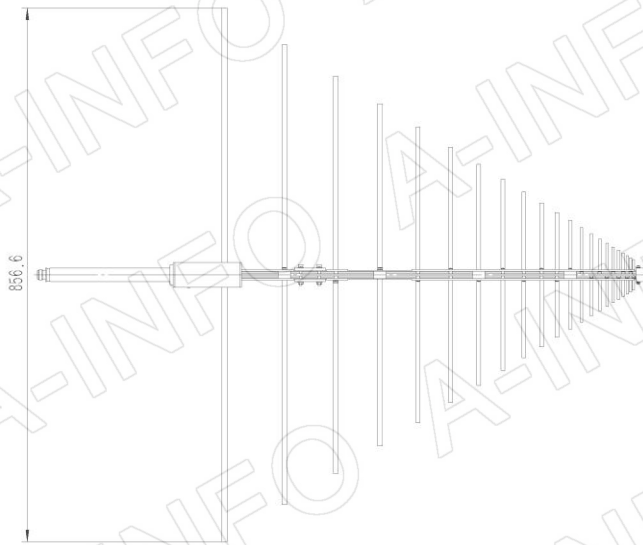
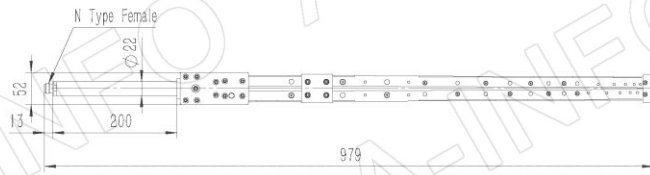
DS-18100 with Mounting Bracket for Tripod Application (Option, P/N: DS-20200-MBA)



DS-18100C (P/N: DS-18100C)



DS-18100E (P/N: DS-18100E)



AINFO Inc.

Page 4 of 7

China(Beijing):  
China(Chengdu):  
USA :

Tel: (+86) 10-6266-7326,  
Tel: (+86) 28-8519-2786,  
Tel: (+1) 949-639-9688,

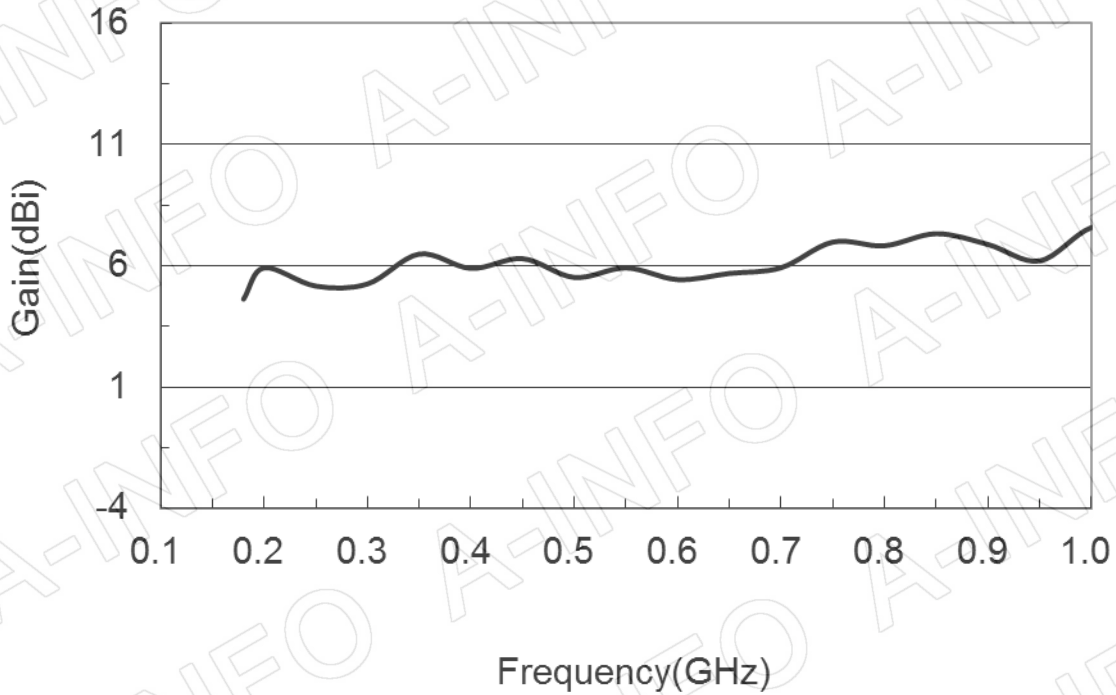
(+86) 10-6266-7327  
(+86) 28-8519-3044  
(+1) 949-639-9608

Fax: (+86) 10-6266-7379  
Fax: (+86) 28-8519-3068  
Fax: (+1) 949-639-9670

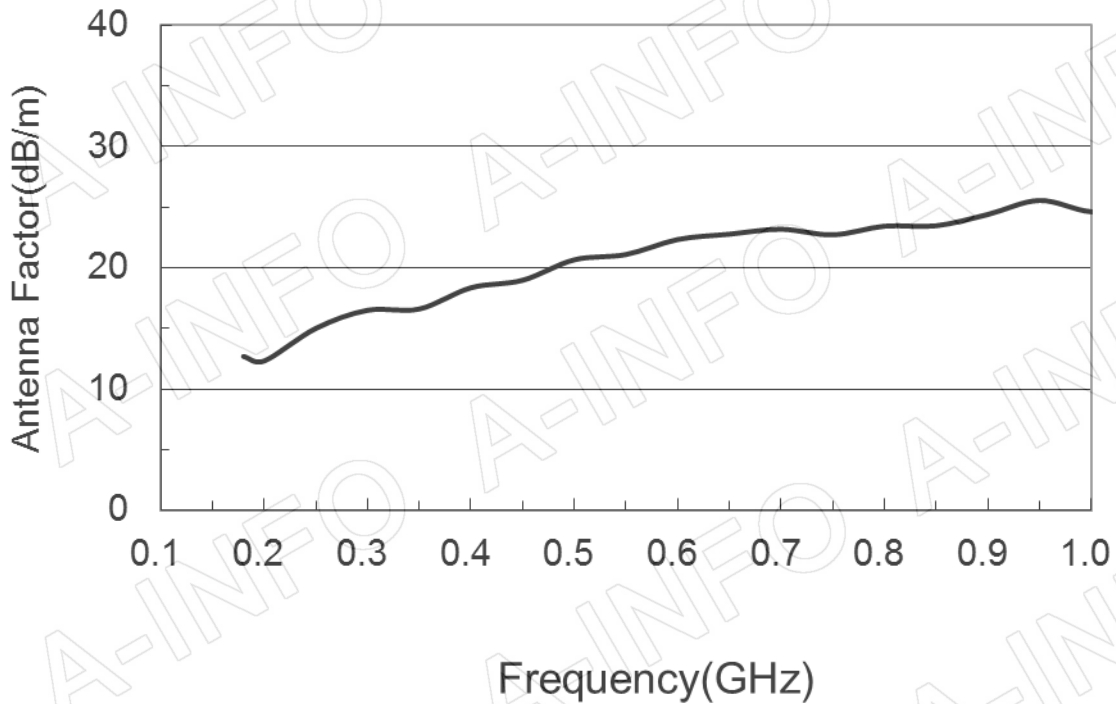
Website: [www.ainfoinc.com](http://www.ainfoinc.com)  
Email: [sales@ainfoinc.com](mailto:sales@ainfoinc.com)

## Test Results

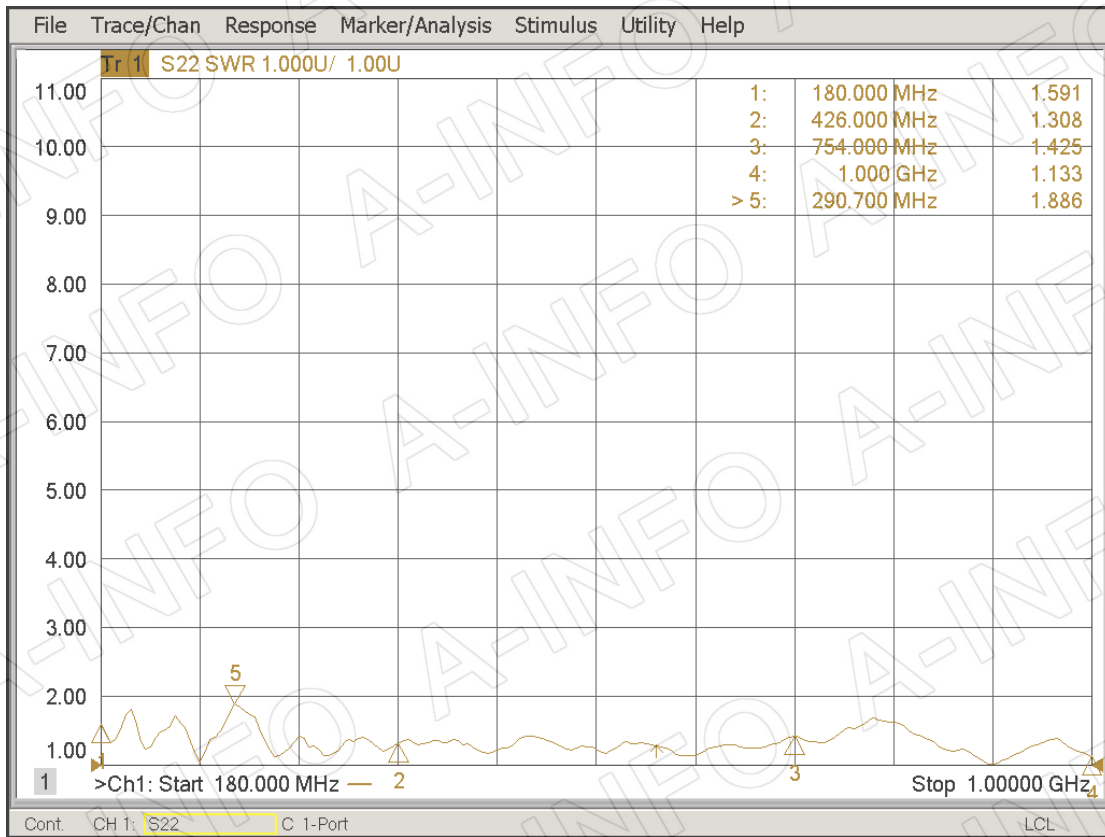
### 1. Gain



### 2. Antenna Factor



### 3. VSWR



### 4. Pattern

